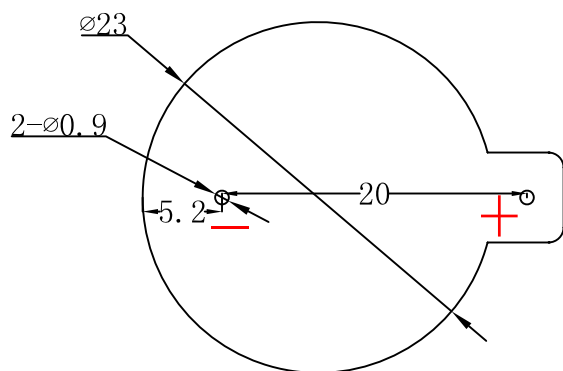
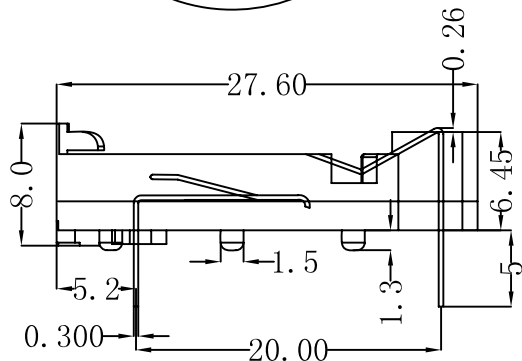
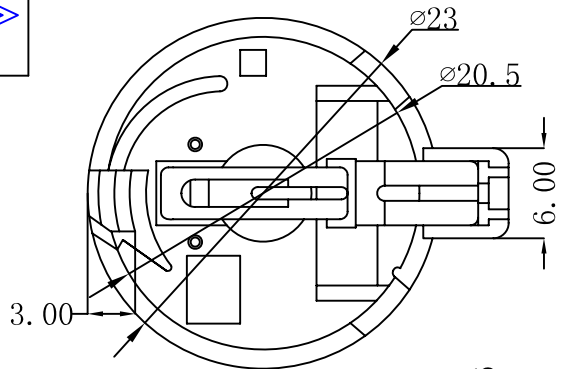




REV.	ECN NO.	REVISED	DATE



PCB Layout Diagram
Top View

NOTE:

1.MATERIAL:

- a.HOUSING:PBT
- b.CONTACT:BRASS

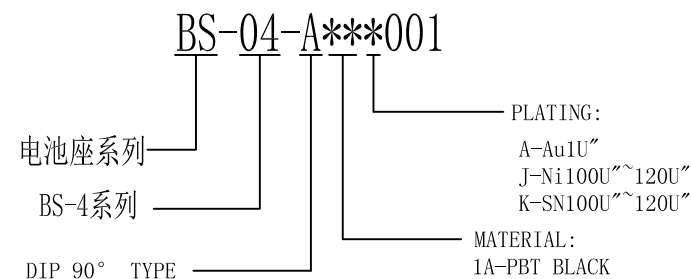
(SURFACE PLATING: Sn100u")

SEE ORDERING INFORMATION

2.ELECTRIC:

- a.CONTACT RESISTANCE: 30 MILLIOHMS MAX
- b.INSULATION RESISTANCE: 1000 MEGA OHMS MIN
- c.DIELECTNIC VOLTAGE: 500V AC ONE SEC LEVEL
- d.OPERATING TEMPERATURE: -25°C~ +85°C

ORDERING INFORMATION



UNLESS OTHERWISE SPECIFIED TOLERANCES		深圳市欧迅光电科技有限公司 SHENZHEN OXUN PHOTOELECTRIC TECHNOLOGY CO., LTD			
DECIMALS: X : ±0.30 X.X : ±0.25 X.XX : ±0.20 X.XXX : ±0.10	ANGLES: X : ±1° X.X : ±0.5°	SCALE: 1:1	SIZE: A4	VIEW:	PART NO:
WEIGHT: 1.8 g		UNIT: mm	REV.: A/O	OBJECT: MY	BS-04-A1AK001
SHEET 1 OF 1		DSND	YangFeng	DATE	2017.7.12
		CHKD	ZhouRuicai	DATE	2017.7.12
		APVD	XueZhengy	DATE	2017.7.12
					TITLE: BS-2032-4-1

NO.	PART NAME	Q'TY	MATERIAL	PLATING & COLOR
3	TERMINAL(-)	1	BRASS, T=0.30MM	Sn-Plating
2	TERMINAL(+)	1	BRASS, T=0.30MM	Sn-Plating
1	HOUSING	1	PBT	BLACK