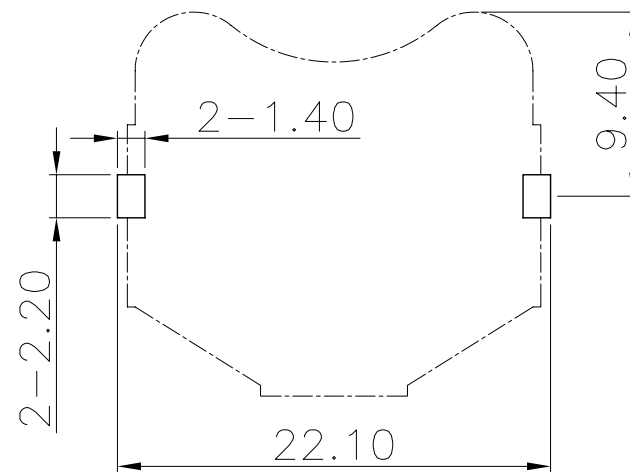
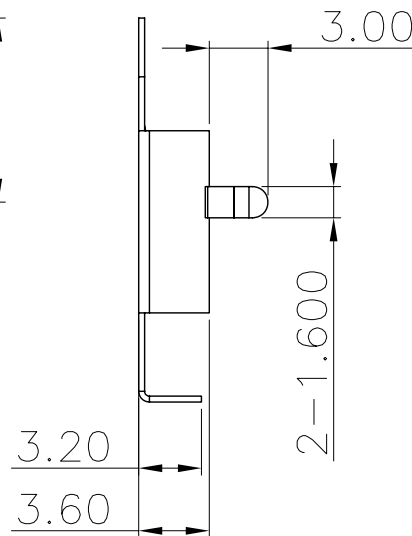
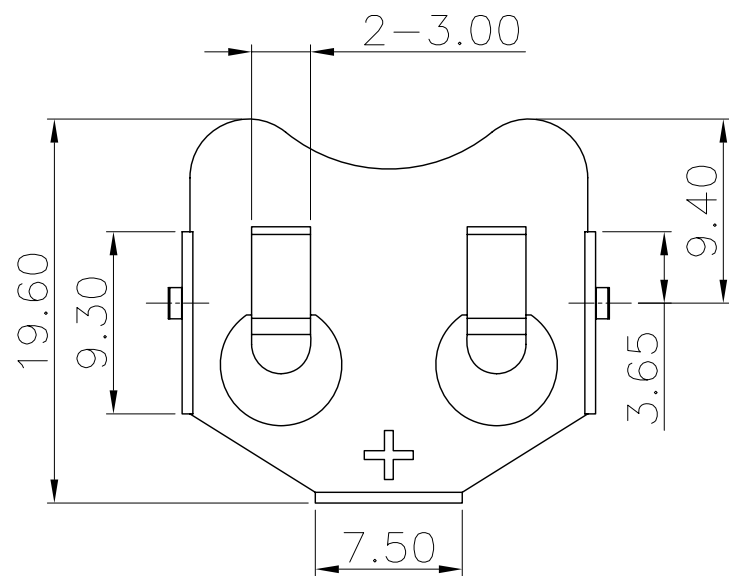
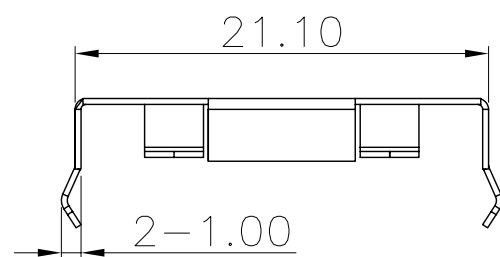




REV.	ECN NO.	REVISED	DATE



PCB Layout Diagram  
Top View



工程部  
2017-07-19  
ZW DANG

UNLESS OTHERWISE SPECIFIED TOLERANCES		深圳市欧迅光电科技有限公司 SHENZHEN OXUN PHOTOELECTRIC TECHNOLOGY CO., LTD					
DECIMALS: X :±0.30 X.X :±0.25 X.XX :±0.20 X.XXX :±0.10	ANGLES: X :±1° X.X :±0.5°	DSND	YangFeng	DATE	2017-07-19	TITLE:	
WEIGHT: g		CHKD	ZhouRuicai	DATE	2017-07-19		电池扣CR2032-A
SHEET 1 OF 1		APVD	XueShunyong	DATE	2017-07-19	PART NO.:	
		SCALE: 2.5:1	SIZE: A4	VIEW:			MY-2032-06
		UNIT: mm	REV.: A/0	OBJECT: MY		DRAW NO.:	MY-CP-0100

NO.	PART NAME	Q'TY	MATERIAL	PLATING & COLOR
3				
2				
1	TERMINAL(+)	1	PHOSPHOR BRONZE, T=0.30mm	Ni-Plating