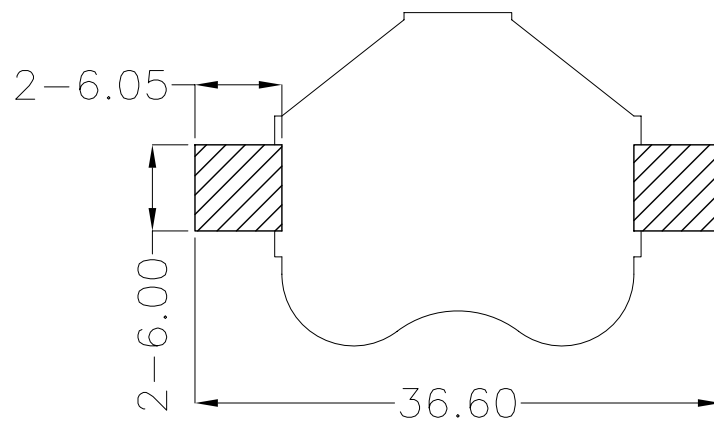
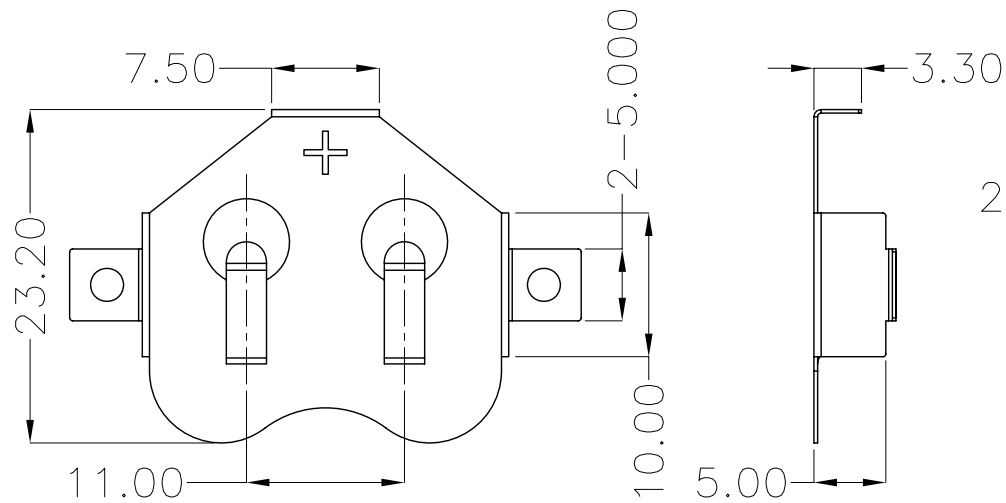


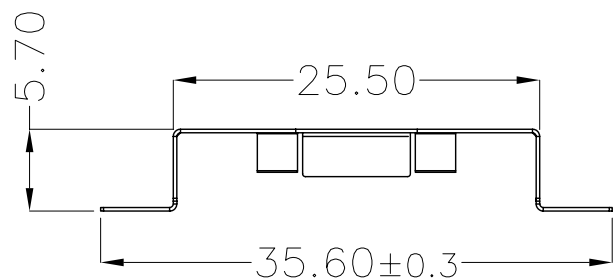


A型

REV.	ECN NO.	REVISED	DATE



PCB Layout Diagram
Top View



工程
2017-10-31
ZW DANG

UNLESS OTHERWISE SPECIFIED TOLERANCES		深圳市欧迅光电科技有限公司 SHENZHEN OXUN PHOTOELECTRIC TECHNOLOGY CO., LTD					
DECIMALS: X :±0.30 X.X :±0.25 X.XX :±0.20 X.XXX :±0.10	ANGLES: X :±1° X.X :±0.5°	DSND	YangFeng	DATE	2017-10-31	TITLE: 电池扣CR2450-W	
WEIGHT:1.4g		CHKD	ZhouRuicai	DATE	2017-10-31		
SHEET 1 OF 1		APVD	XueShunyong	DATE	2017-10-31	PART NO.: MY-2450-01	
		SCALE:	2:1	SIZE:	A4	VIEW:	
		UNIT:	mm	REV.:	A/0	OBJECT:	MY
				DRAW NO.:	MY-CP-0106		

1	TERMINAL(+)	1	PHOSPHOR BRONZE, T=0.25mm	Ni-Plating
NO.	PART NAME	Q'TY	MATERIAL	PLATING & COLOR